

M101P-ME

10.1" Intel® Pentium® N4200 Windows Healthcare Rugged Tablet



KEY FEATURES

- 10.1" 1920 x 1200 IPS LED Panel with direct optical bonding
- Intel® Pentium® N4200 Processor, Healthcare tablet pc
- Housing enhanced with antimicrobial properties
- Long battery life medical computers
- USB 3.0 (Type C) connector
- Optional 1D/2D barcode scanner to scan medications or wrist bands
- Lightweight, rugged, IP65 waterproof and dustproof



SPECIFICATIONS

Display	
Type	Projected Capacitive Multi Touch
Bonding	Optical Bonding for Sunlight Viewability
Size	10.1 inches
Panel Brightness	600.0 nits
Viewability	Anti-Glare touch treatment
Resolution	1920x1200
Contrast Ratio	800:1
View Angles	85,85,85,85
System Specification	
Processor	Intel Pentium N4200 1.1GHz (up to 2.5GHz)
Memory	4GB LPDDR4 8GB LPDDR4 (Optional)
Storage	128GB SSD Additional storage available with micro SDXC card slot 256GB SSD (Optional) 512GB SSD (Optional)
Security	Trusted Platform Module (TPM) 2.0 Kensington Lock
Operating System	Windows 10 IoT Enterprise (64 bit)
WLAN	Support
BT	Support
WWAN	4G LTE (Optional)
GNSS	GPS, GLONASS
RFID	HF RFID 13.56 MHz reader (Optional) add-on UHF RFID Reader (Optional)
Sensors	Light sensor/ G-sensor / Gyro
Smart Card Reader	Add-on Smart Card Reader (Optional)
Camera	
Front Camera	2MP Front Camera
Rear Camera	8MP Rear Camera with auto-focus and LED light
Mechanical	
Dimension	271.9 x 197.3 x 19.5 mm
Weight	1.2 kg (2.65 lbs) with standard battery, 1.4 kg (3.1 lbs) with optional high capacity battery
Cooling System	Fanless design
IO Ports	
USB Port	1 x USB 3.0 (Type A), 1 x USB 3.0 (Type C)
SD Card Slot	1 x Micro SDXC slot
SIM Card Slot	1 x Micro SIM card slot
Video	1 x Micro HDMI (Optional)
Audio	1 x Audio combo 3.5mm audio combo jack (Mic in or Line Out) Dual Digital Mic With Noise Cancellation Dual Speaker
Expansion Port	1 x Expansion connector for USB 2.0/ Full RS232 (Optional)
Indicator	4x LED Indicator for Power, Battery, HDD, RF status
Docking Connector	1 x 19-pin docking connector
Environment	

Operating Humidity	10% to 90% RH, non-condensing	Operating Temperature	0 to 35°C
Storage Temperature	-30°C to 70°C (-22°F to 158°F)	Shock	MIL-STD-810G Method 516.6 Procedure I
Vibration	MIL-STD-810G Method 514.6 Procedure I	IP rating	IP65
Drop	MIL-STD-810G Method 516.6, 4 ft		

Certification

Certification	CE, FCC, UL, PTCRB, Verizon, IEC/EN 60601-1, IEC/EN 60601-1-2, UL 60601-1
----------------------	---

Security Function

SOTI MobiControl	SOTI MobiControl Compliance	Kensington Lock	Kensington Lock Support
-------------------------	-----------------------------	------------------------	-------------------------

Control

Button	1 x Power, 1 x Home, 2 x Volume, 2 x Programmable Function Keys
---------------	---

Power

Battery	Hot-swappable 7.4V, typ. 5140 mAh Li-Polymer Battery (2S1P) 7.4V, typ. 10280 mAh Li-Polymer Battery (2S2P, Optional)	Battery Operating Time	Standard Battery: 8 hours
----------------	---	-------------------------------	---------------------------

Power Rating	19V DC	Adapter	100-240V, 50-60Hz (19V DC)
---------------------	--------	----------------	----------------------------

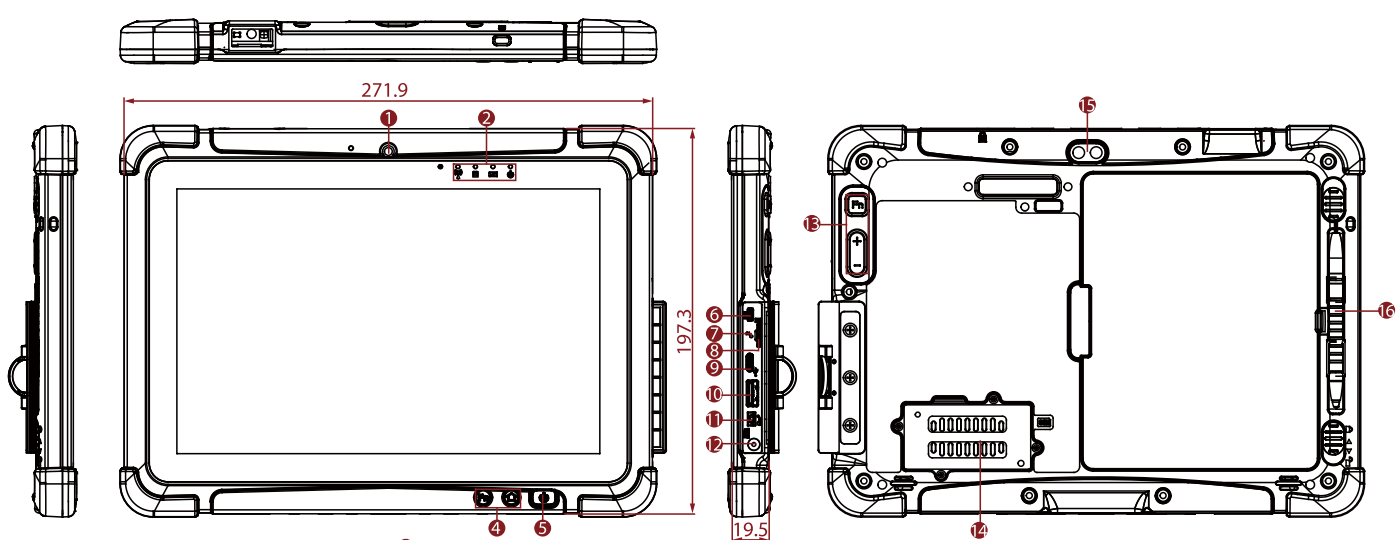
Accessory

Accessory	Adapter and Power Cord Capacitive Stylus Standard Battery	Optional Accessory	Desk Dock (Optional) Vehicle Dock (without VGA output) (Optional) Vehicle Cradle (Optional) Battery Charger (Optional) Smart Card Reader (Optional) High Capacity Battery (Optional) Hand Strap (Optional) VESA Mount Kit (Optional) Shoulder Strap (Optional) Carry Bag (Optional) Vehicle Charger (Optional)
------------------	---	---------------------------	--

Barcode Scanner

Barcode Scanner	1D/2D barcode reader (Optional)
------------------------	---------------------------------

DIMENSIONS UNIT:MM



- 1 Camera
- 2 LED Indicator
- 3 Docking Connector
- 4 Function Button
- 5 Power Switch
- 6 Micro HDMI
- 7 Reset Button
- 8 Micro SD Card Slot
- 9 USB Type-C
- 10 USB Type-A
- 11 Audio
- 12 Power Input
- 13 Function Button
- 14 LTE Module/SIM Card Slot
- 15 Camera
- 16 Touch Pen Slot

NOTE

1. Total usable memory will be less dependent upon actual system configuration.
2. The USB Type-C connector follows USB 3.0 standard, which does not support Alternate Mode (ALT) or USB Power Delivery (USB-PD).
3. SOTI is available upon request.
4. Length measurements do not include protrusions. Weight varies with options and active pen.
5. The drop test with high-capacity battery must come with hand strap.
6. Measured at dimming LCD brightness. Varies depending on the usage conditions, or when an external device is attached.
7. Accessories and integrated options may vary depending on your configuration.
8. This is a simplified drawing and some components are not marked in detail.