

# E500RM9

## 5" ARM A73 + A53 Rugged Handheld Computer



### KEY FEATURES

- 5" 1280 x 720 Resolution
- ARM A73 x 4 (2.0 GHz) + A53 x 4 (2.0 GHz)
- IP65 waterproof and dustproof
- Optional 1D/2D Barcode Reader and Fingerprint Reader for data collection
- Rated for extreme temperature use
- Optional NFC function

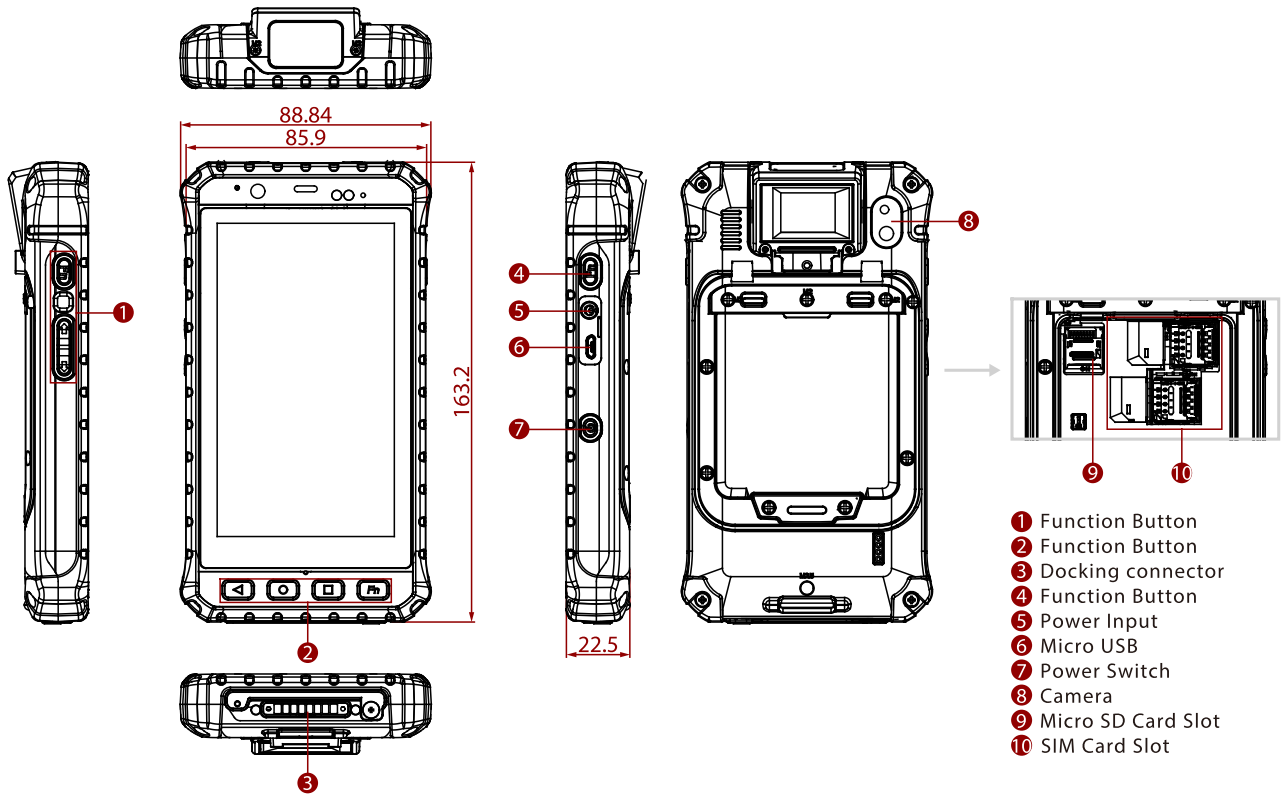


### SPECIFICATIONS

Display			
<b>Resolution</b>	1280x720	<b>Size</b>	5.0 inches
<b>Contrast Ratio</b>	800:1	<b>Panel Brightness</b>	500 nits
<b>View Angles</b>	80,80,80,80	<b>Type</b>	Projected Capacitive Multi Touch
<b>Touch Mode</b>	Support Hand / Gloves and Rain Mode	<b>Bonding</b>	Optical Bonding for Sunlight Viewability
System Specification			
<b>Processor</b>	ARM A73 x 4 (2.0 GHz) + A53 x 4 (2.0 GHz)	<b>Memory</b>	4GB
<b>Storage</b>	64GB	<b>Operating System</b>	Android 11.0
<b>WLAN</b>	Support	<b>BT</b>	Support
<b>WWAN</b>	4G/LTE (Optional)	<b>GNSS</b>	GPS/AGPS
<b>RFID</b>	NFC (Read / Write, Peer to Peer mode) (Optional)	<b>Sensors</b>	Ambient Light Sensor, E-Compass, Gyro, Acceleration Sensors
<b>Smart Card Reader</b>	ISO7816 Part 1.2.3 Smart Card Reader (Optional)	<b>Fingerprint Scanner</b>	Fingerprint Reader (Optional)
Camera			
<b>Front Camera</b>	8MP Camera	<b>Rear Camera</b>	13MP Camera with LED Auxiliary Light (Auto Focus)
Mechanical			
<b>Dimension</b>	85.9 x 163.2 x 22.5 mm	<b>Weight</b>	315g
IO Ports			
<b>USB Port</b>	1 x Micro USB OTG	<b>SD Card Slot</b>	1 x Micro SD Card Slot
<b>SIM Card Slot</b>	2 x SIM Card Slot	<b>Audio</b>	1 x Audio Combo connector (Mic in or Line Out) 2 x Built-in Mic 1 x Speaker 1 x Receiver
<b>Indicator</b>	1 x LED Indicators (Power, Battery)	<b>Docking Connector</b>	1 x Docking Connector
Environment			
<b>Operating Humidity</b>	10% to 95% RH, NonCondensing	<b>Operating Temperature</b>	-20°C to 60°C
<b>Storage Temperature</b>	-30°C to 70°C	<b>Shock</b>	MIL-STD-810H Method 516.8 Procedure I
<b>Vibration</b>	MIL-STD-810H Method 514.8 Procedure I	<b>IP rating</b>	IP65
<b>Drop</b>	MIL-STD-810H Method 516.8, 4 ft		

Certification			
Certification	CE, FCC		
Control			
Button	1 x Volume +/-, 1 x Power Button, 3 x Function Button, 1 x Home, 1 x Menu, 1 x Esc		
Power			
Battery	3.7V 3900mAh Hotswappable Function (Optional)	Battery Operating Time	20Hr
Power Rating	5V	Adapter	5V 2A Adapter
Security Function			
SOTI MobiControl	SOTI MobiControl Compliance		
Accessory			
Accessory	Power Plug (Based on Customer's Country) Hand Strap Battery	Optional Accessory	Micro SD Card Charging Dock 2 bay Charging Dock 6 bay Battery Charging Dock 2 bay Battery Charging Dock 6 bay Micro USB Cable
Barcode Scanner			
Barcode Scanner	1D/2D Barcode Reader (Optional)		

**DIMENSIONS** UNIT:MM



**NOTE**

1. Total usable memory will be less dependent upon actual system configuration.
2. Computrace theft protection is available upon request.
3. Length measurements do not include protrusions. Weight varies with options and a digitizer pen.
4. Measured at dimming LCD brightness. Varies depending on the usage conditions, or when an external device is attached.
5. Accessories and integrated options may vary depending on your configuration.
6. This is a simplified drawing, and some components are not marked in detail.
7. The product shown in this datasheet is a standard model. For diagrams that contain customized or optional I/O, please contact the Winmate Sales Team for more information.