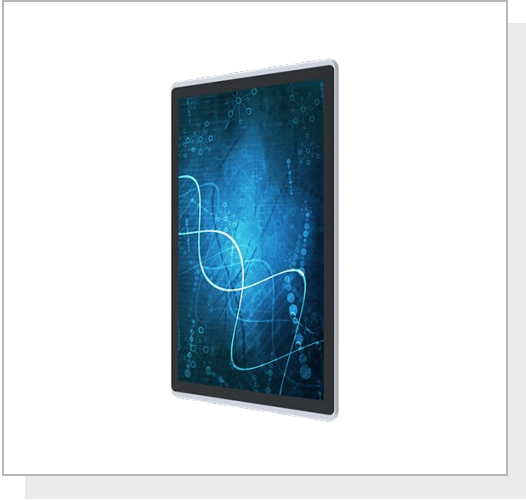


W15L100-PTA3-ME

15.6" Multi-Touch Color Surgical Display



KEY FEATURES

- 15.6" 1920 x 1080 Multi-Touch Color Surgical Display
- Projected Capacitive Multi-touch
- VGA input and HDMI input
- Stylish and elegant design
- Housing with antimicrobial properties
- Front IP65 Multi-Touch Color Surgical Display

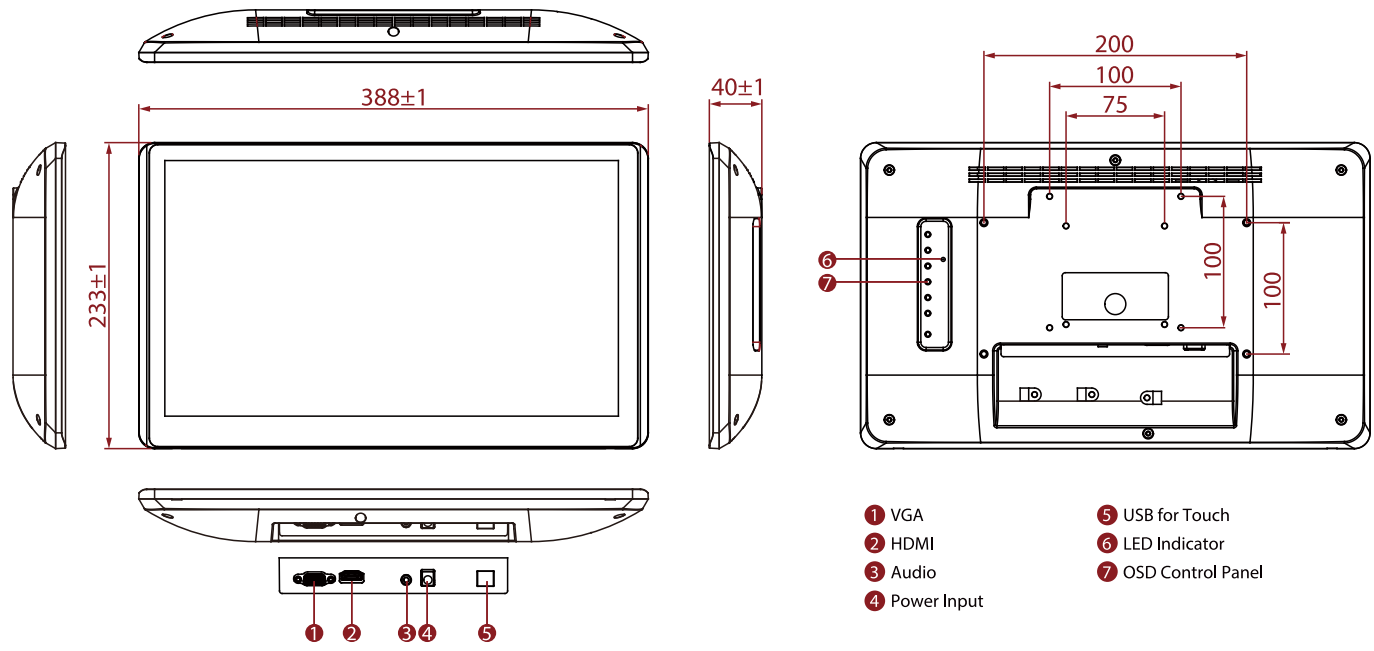


SPECIFICATIONS

Display	
Resolution	1920x1080
Contrast Ratio	800:1
Display Color	262K Colors
Active Area	344.16x193.59 mm
Size	15.6 inches
Panel Brightness	400.0 nits
View Angles	85,85,85,85
Touch / Glass	Projected Capacitive Multi Touch Screen (AG)
Environment	
Operating Humidity	10% to 90% RH, non-condensing
Storage Temperature	-20°C~60°C
Operating Temperature	0°C~40°C
Certification	
Certification	IEC 60601-1:2005 + A1:2012 (Ed. 3.1) IEC 60601-1-6:2010 + A1:2013 (Ed. 3.1) IEC 62366:2007 + A1:2014 (Ed. 1.1) ANSI/AAMI ES60601-1:2005/A1:2012 and C1:2009/(R)2012 and A2:2010/(R)2012 CAN/CSA- C22.2 No.60601-1:14 EN 60601-1-2:2015, IEC 60601-1-2:2014 (Ed. 4.0) EN 55032/EN 55024, FCC part 15B EN 62368-1:2014 RoHS-2, REACH, WEEE compliant
IO Ports	
USB Port	1 x USB for Touch Screen
Audio	1 x Audio Line In 2 x Speaker (Optional)
Video	1 x VGA 1 x HDMI (Optional)
Mechanical	
Dimension	388 x 233 x 40 mm
Mounting	VESA Mount
Cooling System	Fanless Design
Weight	1.6 kg
Enclosure	Plastic
Accessory	
Accessory	1 x VGA cable 1 x HDMI cable 100~240V AC to DC Adapter Power Cord Manual VESA screws(Varies by product)

Power	
Power Rating	12V DC in 24V DC in (optional)
Control	
Button	7 Keys: Enter, Exit, Right, Left, Up, Down, Power

DIMENSIONS UNIT:MM



NOTE

1. This is a simplified drawing and some components are not marked in detail.
2. Please contact our sales representative if you need further product information.
3. All specifications are subject to change without prior notice.
4. The product shown in this datasheet is a standard model. For diagrams that contain customized or optional I/O, please contact the Winmate Sales Team for more information.